

CARTA KUMPULAN

TRIPLE CAMPURAN

KUMP A	
A1	USM 2
A2	UMK 2
A3	UITM 2
A4	-

KUMP B	
B1	UM 1
B2	UTHM 1
B3	KK MAS 2
B4	-

KUMP C	
C1	UNIKL 2
C2	UPM 2
C3	UITM 3
C4	-

KUMP D	
D1	UTHM 3
D2	KK MAS 1
D3	UTEM 2
D4	-

KUMP E	
E1	UPSI
E2	UTEM 1
E3	USM 1
E4	-

KUMP F	
F1	UMK 3
F2	UMP
F3	UTM
F4	UM 2

KUMP G	
G1	UPM 1
G2	UITM 1
G3	UTHM 2
G4	UNISZA

KUMP H	
H1	UMK 1
H2	USM 3
H3	KK MAS 3
H4	UNIKL 1

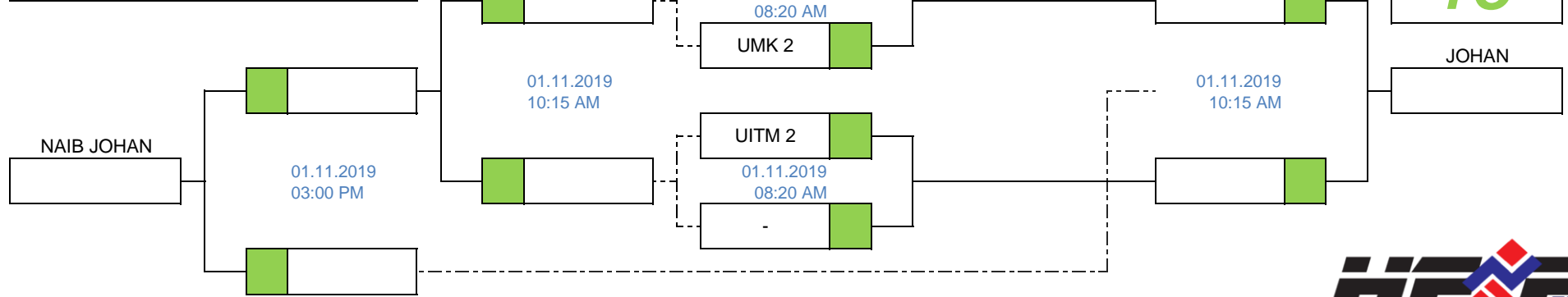
JADUAL PERTANDINGAN

BIL	TARIKH	MASA	KUMP	KOD	PERLAWANAN ANTARA			NO. GEL	CATATAN
					PASUKAN A	LWN	PASUKAN B		
PUSINGAN SATU									
1	01.11.2019	08:20 AM	KUMP A	TC K1 01	USM 2	LWN	UMK 2		
2	01.11.2019	08:20 AM	KUMP B	TC K2 01	UM 1	LWN	UTHM 1		
3	01.11.2019	08:20 AM	KUMP C	TC K3 01	UNIKL 2	LWN	UPM 2		
4	01.11.2019	08:20 AM	KUMP D	TC K4 01	UTHM 3	LWN	KK MAS 1		
5	01.11.2019	08:20 AM	KUMP E	TC K5 01	UPSI	LWN	UTEM 1		
6	01.11.2019	08:20 AM	KUMP F	TC K6 01	UMK 3	LWN	UMP		
7	01.11.2019	08:20 AM	KUMP F	TC K6 02	UTM	LWN	UM 2		
8	01.11.2019	08:20 AM	KUMP G	TC K7 01	UPM 1	LWN	UITM 1		
9	01.11.2019	08:20 AM	KUMP G	TC K7 02	UTHM 2	LWN	UNISZA		
10	01.11.2019	08:20 AM	KUMP H	TC K8 01	UMK 1	LWN	USM 3		
11	01.11.2019	08:20 AM	KUMP H	TC K8 02	KK MAS 3	LWN	UNIKL 1		
12	01.11.2019	10:15 AM	KUMP A	TC K1 02		LWN			WIN 01 VS WIN 02
13	01.11.2019	10:15 AM	KUMP B	TC K2 02		LWN			WIN 01 VS WIN 02
14	01.11.2019	10:15 AM	KUMP C	TC K3 02		LWN			WIN 01 VS WIN 02
15	01.11.2019	10:15 AM	KUMP D	TC K4 02		LWN			WIN 01 VS WIN 02
16	01.11.2019	10:15 AM	KUMP E	TC K5 02		LWN			WIN 01 VS WIN 02
17	01.11.2019	10:15 AM	KUMP F	TC K6 03		LWN			LOS 01 VS LOS 02
18	01.11.2019	10:15 AM	KUMP F	TC K6 04		LWN			WIN 01 VS WIN 02
19	01.11.2019	10:15 AM	KUMP G	TC K7 03		LWN			LOS 01 VS LOS 02
20	01.11.2019	10:15 AM	KUMP G	TC K7 04		LWN			WIN 01 VS WIN 02
21	01.11.2019	10:15 AM	KUMP H	TC K8 03		LWN			LOS 01 VS LOS 02
22	01.11.2019	10:15 AM	KUMP H	TC K8 04		LWN			WIN 01 VS WIN 02
23	01.11.2019	03:00 PM	KUMP A	TC K1 03		LWN			WIN 03 VS LOS 04
24	01.11.2019	03:00 PM	KUMP B	TC K2 03		LWN			WIN 03 VS LOS 04
25	01.11.2019	03:00 PM	KUMP C	TC K3 03		LWN			WIN 03 VS LOS 04
26	01.11.2019	03:00 PM	KUMP D	TC K4 03		LWN			WIN 03 VS LOS 04
27	01.11.2019	03:00 PM	KUMP E	TC K5 03		LWN			WIN 03 VS LOS 04
28	01.11.2019	03:00 PM	KUMP F	TC K6 05		LWN			WIN 03 VS LOS 04
29	01.11.2019	03:00 PM	KUMP G	TC K7 05		LWN			WIN 03 VS LOS 04
30	01.11.2019	03:00 PM	KUMP H	TC K8 05		LWN			WIN 03 VS LOS 04

HIGHER EDUCATION SPORTS FEST 2019 - PETANQUE

KUMP A

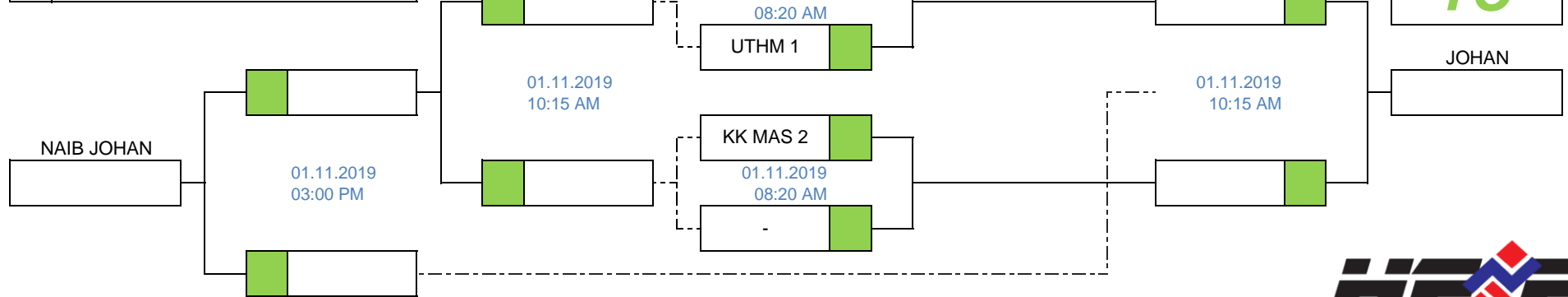
A1	USM 2
A2	UMK 2
A3	UITM 2
A4	-



HIGHER EDUCATION SPORTS FEST 2019 - PETANQUE

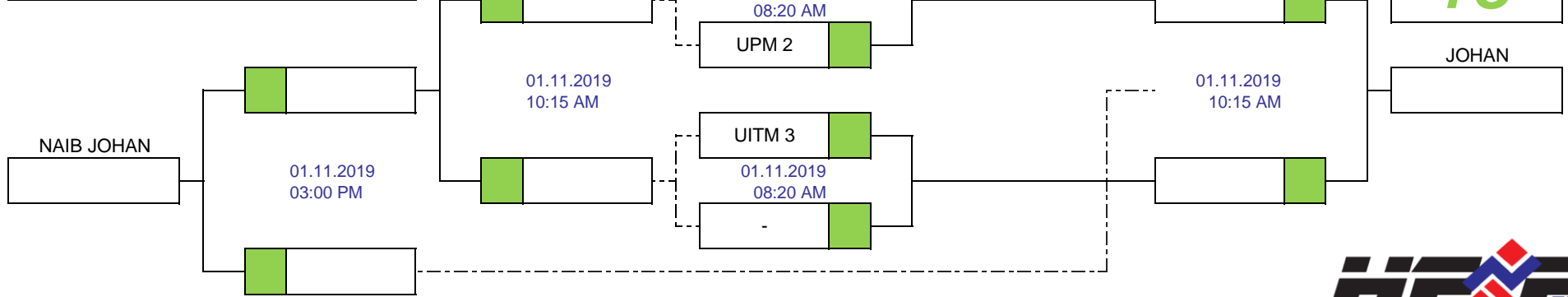
KUMP B

B1	UM 1
B2	UTHM 1
B3	KK MAS 2
B4	-



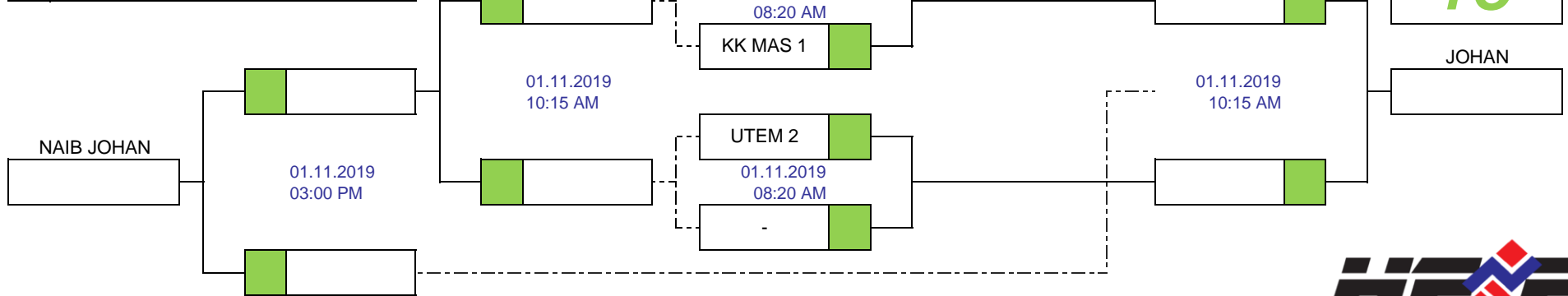
HIGHER EDUCATION SPORTS FEST 2019 - PETANQUE

KUMP C	
C1	UNIKL 2
C2	UPM 2
C3	UITM 3
C4	-



HIGHER EDUCATION SPORTS FEST 2019 - PETANQUE

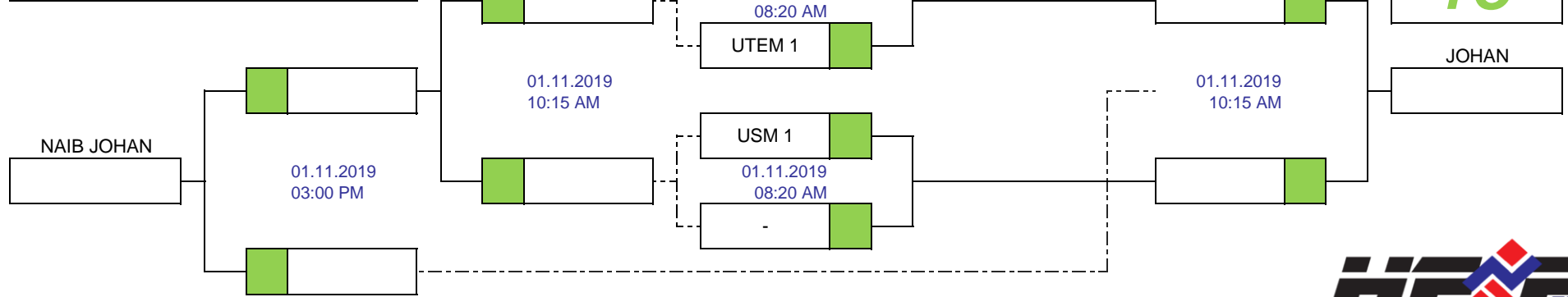
KUMP D	
D1	UTHM 3
D2	KK MAS 1
D3	UTEM 2
D4	-



HIGHER EDUCATION SPORTS FEST 2019 - PETANQUE

KUMP E

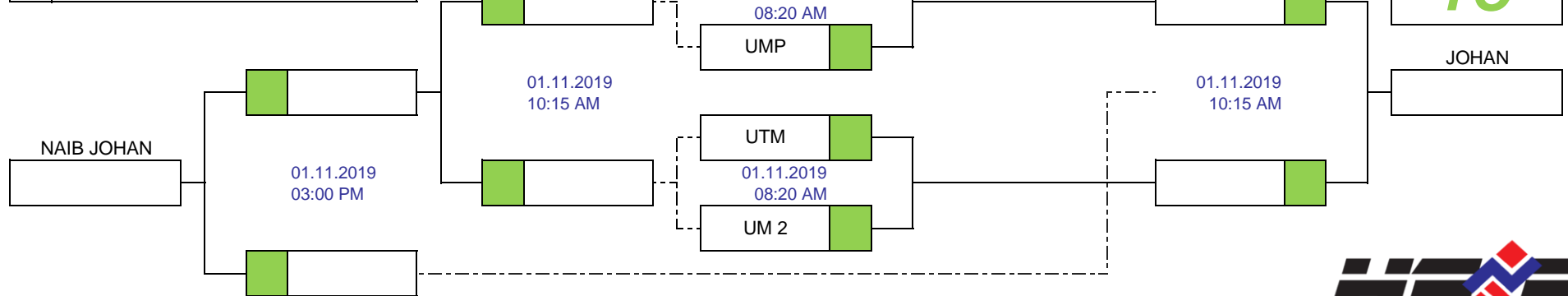
E1	UPSI
E2	UTEM 1
E3	USM 1
E4	-



HIGHER EDUCATION SPORTS FEST 2019 - PETANQUE

KUMP F

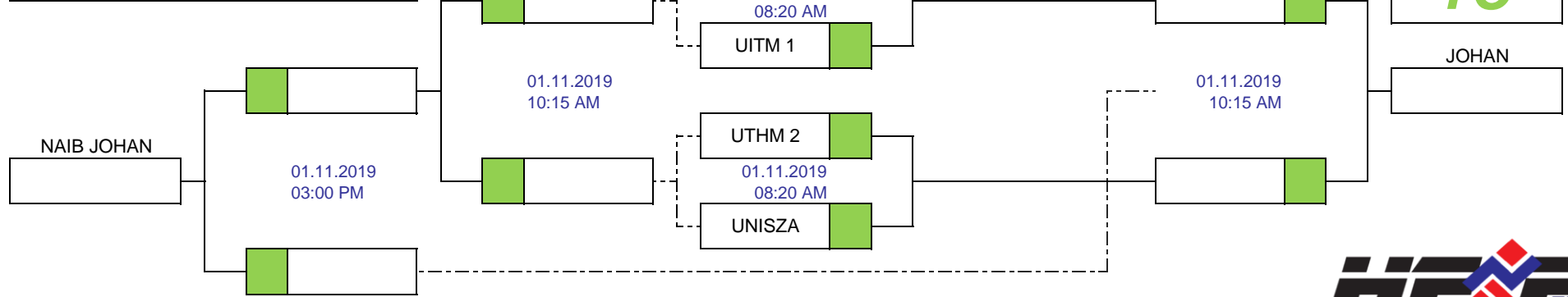
F1	UMK 3
F2	UMP
F3	UTM
F4	UM 2



HIGHER EDUCATION SPORTS FEST 2019 - PETANQUE

KUMP G

G1	UPM 1
G2	UITM 1
G3	UTHM 2
G4	UNISZA



K7

TC

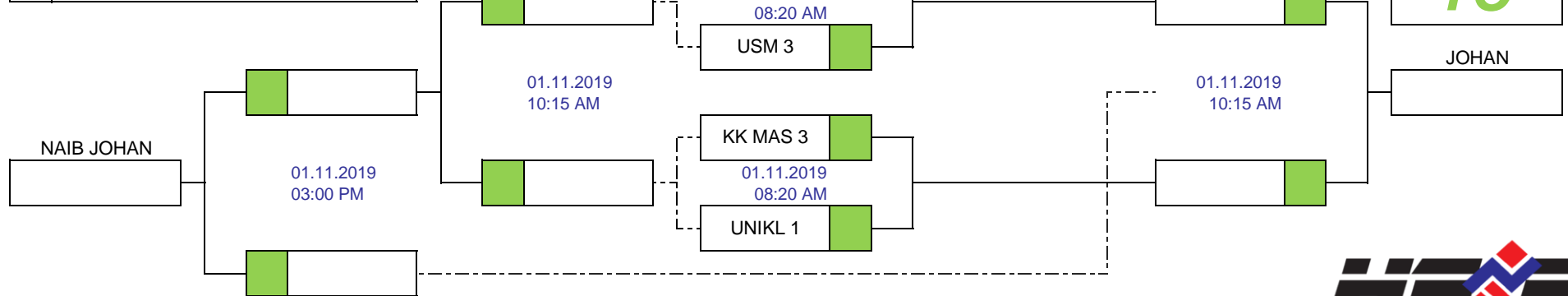
JOHAN



HIGHER EDUCATION SPORTS FEST 2019 - PETANQUE

KUMP H

H1	UMK 1
H2	USM 3
H3	KK MAS 3
H4	UNIKL 1



K8

TC

JOHAN





PUSINGAN DUA

